

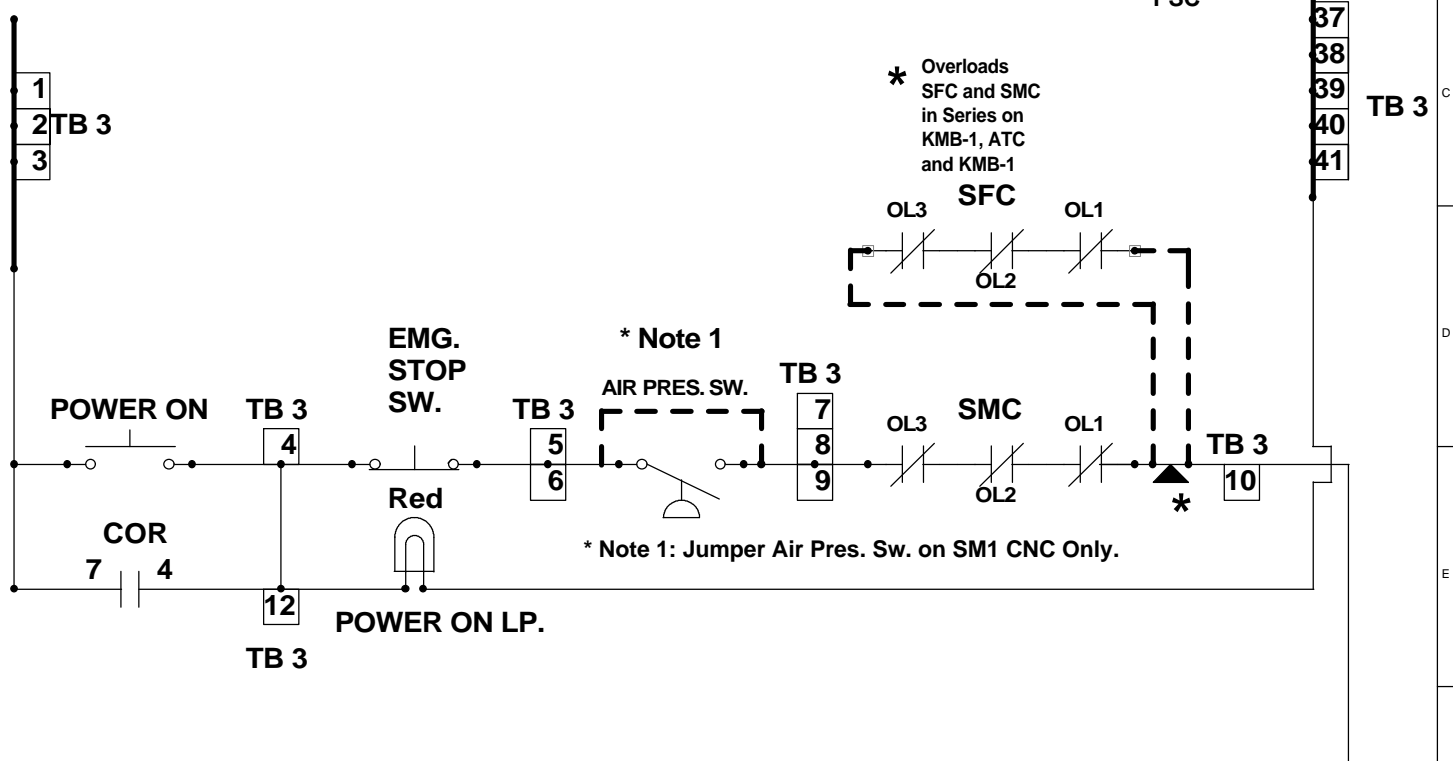
Emergency Stop String

KMB-Im / SM-I CNC / KMB-I ATC / KMB-I

PS TB4 - 30
+ 24V DC

PS TB4 - 29
- 24V DC
PSC

* Overloads
SFC and SMC
in Series on
KMB-1, ATC
and KMB-1



* Note 1

* Note 1: Jumper Air Pres. Sw. on SM1 CNC Only.

